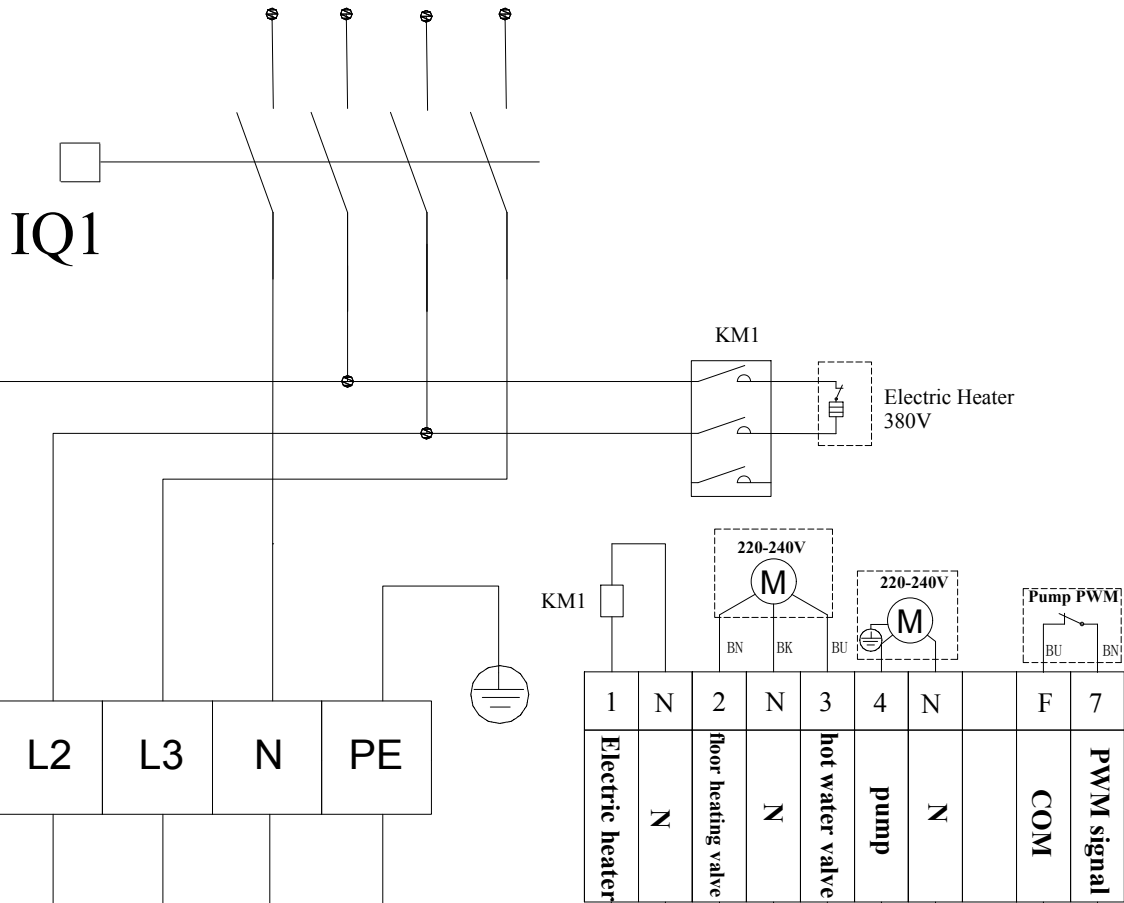


Indoor unit

power supply 380V~



Outdoor unit

